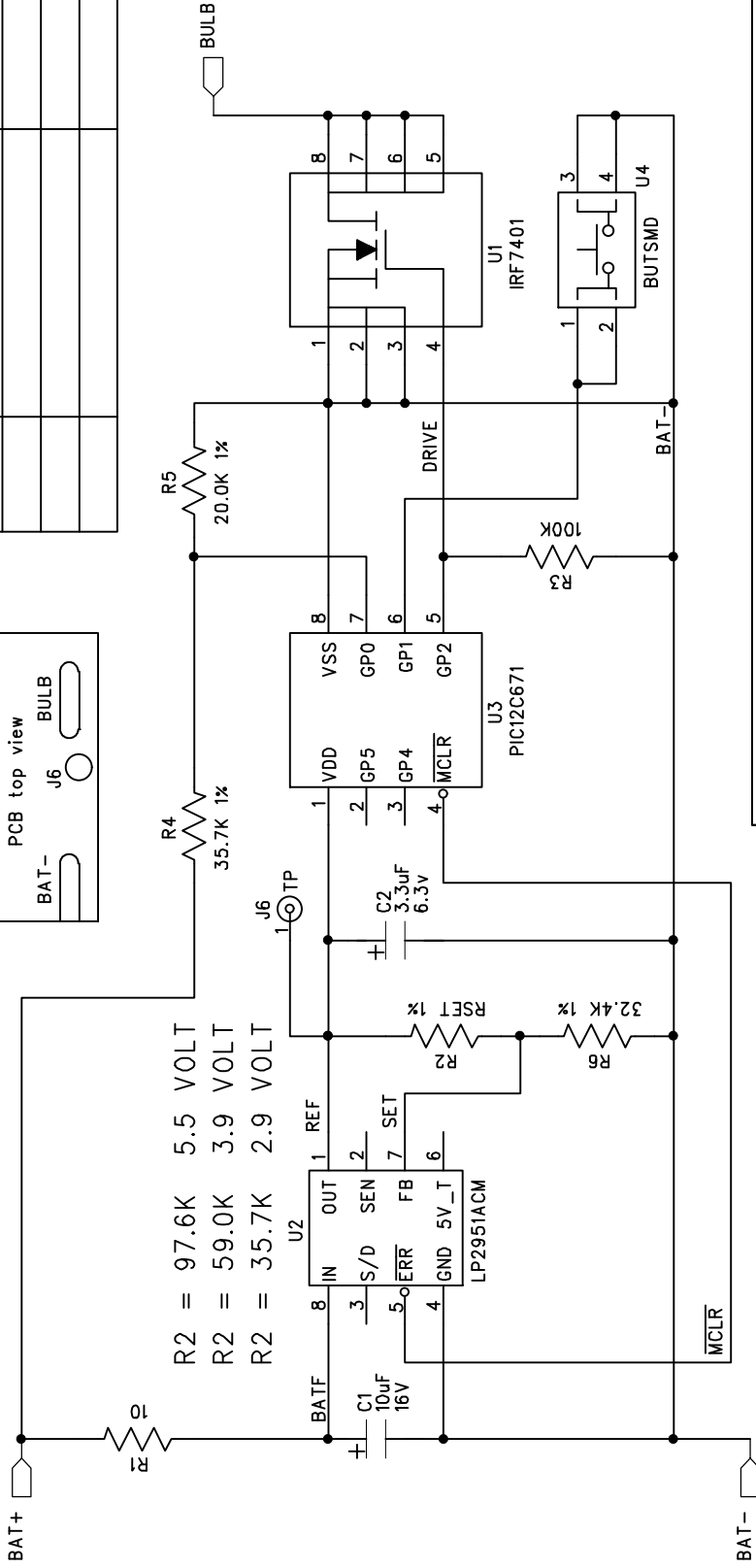
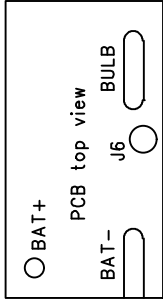


6 5 4 3 2 1

REVISION RECORD			
LTR	ECO NO:	APPROVED:	DATE:
	1st 5000 PCB's	Oct 8 1999	



COMPANY: Headlite Products	
TITLE: LVR3CP PCB artwork rev0 Microcontroller based Lightbulb Voltage Regulator	
CODE:	DRAWING NO:
SIZE:	REV:
SCALE:	SHEET: 1 OF 1

DRAWN: Willie Hunt	DATED: Feb 13 1999
CHECKED: Willie Hunt	DATED: March 18 1999
QUALITY CONTROL:	DATED:
RELEASED:	DATED:

D C B A