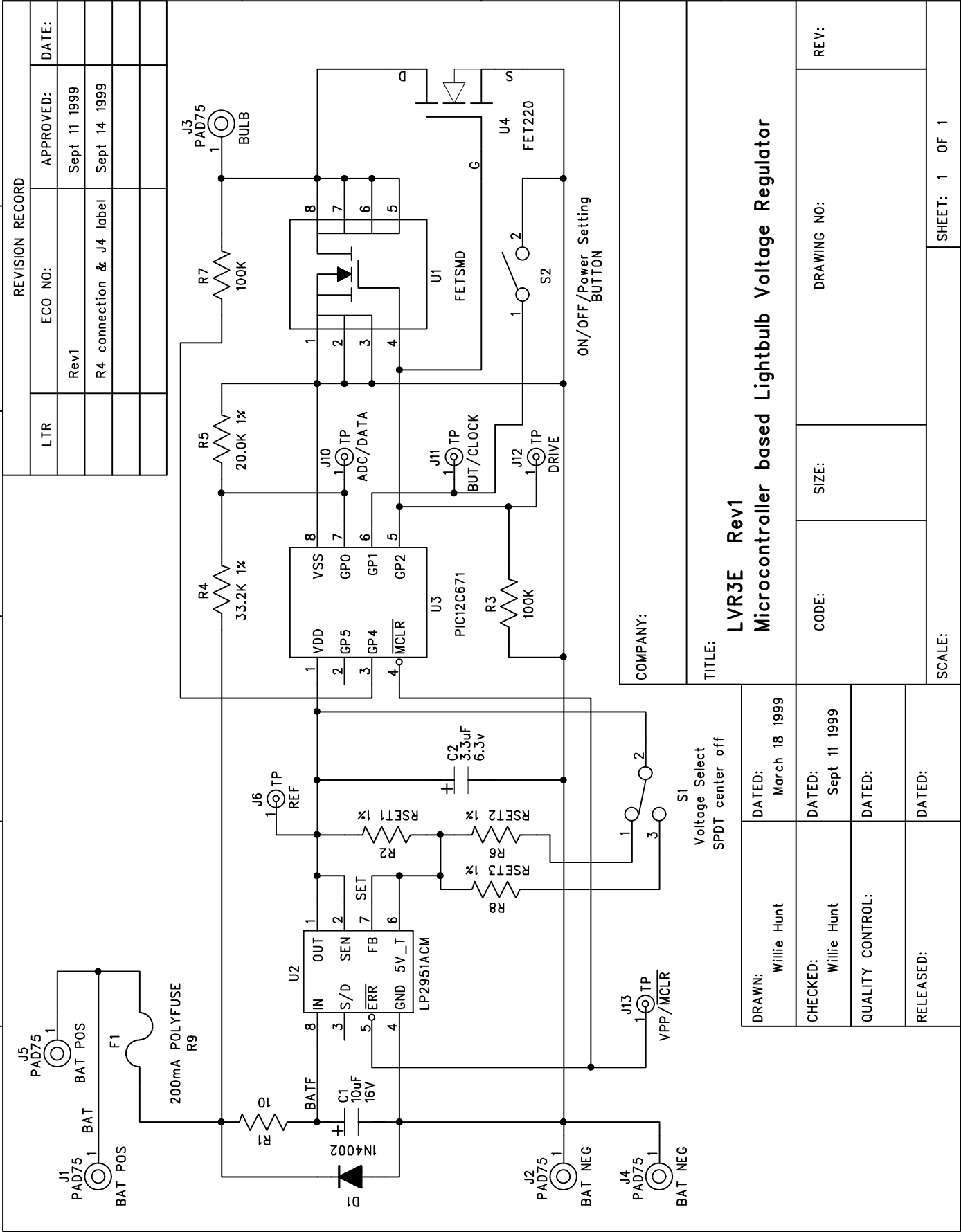


6 5 4 3 2 1



REVISION RECORD

LTR	ECO NO:	APPROVED:	DATE:
	Rev1	Sept 11 1999	
	R4 connection & J4 label	Sept 14 1999	

COMPANY:

TITLE: **LVR3E Rev1 Microcontroller based Lightbulb Voltage Regulator**

CODE:	SIZE:	DRAWING NO:	REV:

DRAWN:	DATED:
Willie Hunt	March 18 1999
CHECKED:	DATED:
Willie Hunt	Sept 11 1999
QUALITY CONTROL:	DATED:
RELEASED:	DATED:

SCALE: SHEET: 1 OF 1